



Slam Locks

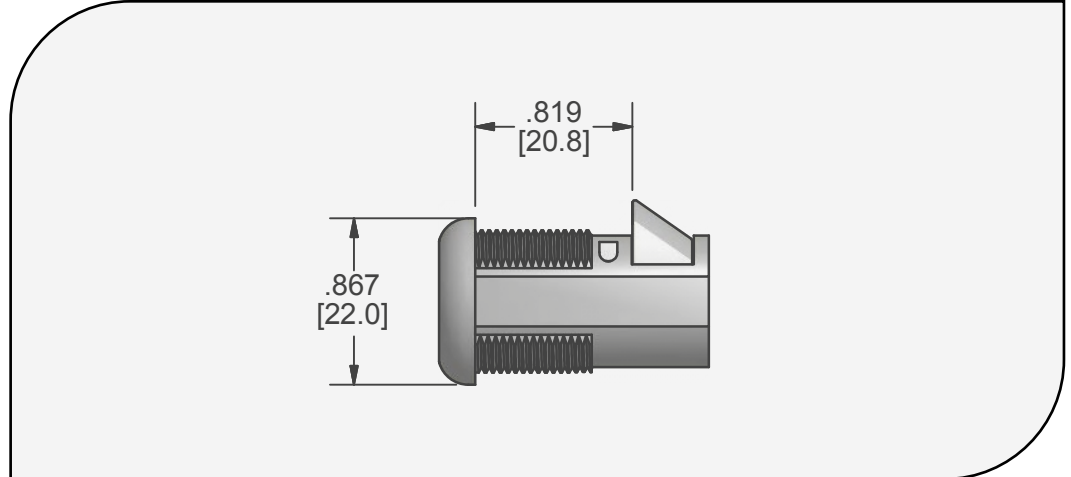
DX1930A

- Slam lock allows for latching when door or panel is shut
- Available keyed alike or keyed different
- 5 Disk Tumbler Single Bitted Mechanism. Master Keying available
- 200 Key Changes

Material and Finish

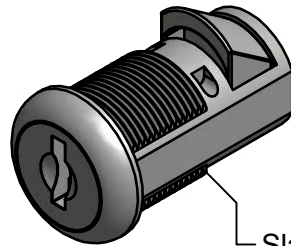
Housing: Zinc Alloy
 Finish: Bright Chrome
 US26 [standard]

Satin Nickel US15,
 Black E-coat optional

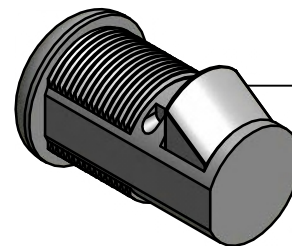


* length tolerance +/- .039" [1mm]

Part Number	Rotation	Key Withdrawal	Function
D1930A	90° Left & Right	0 only	Spring Return

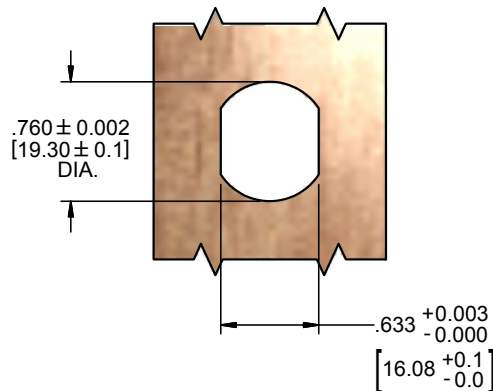


Slam Lock Assembly



Spring-Loaded Latch

Installation



Illinois Lock Company
 A division of the Eastern Company

www.illinoislock.com • sales@illinoislock.com • 847-537-1800



Slam Locks

DX1930A

Accessories/Replacement Parts



Finger Pull Vertical
PN: P9446A



Finger Pull Horizontal
PN: P9446B



Metal Finger Pull
PN: FP333



Barrel Nut M19
PN: D9868



Spur Washer
PN: S2302A



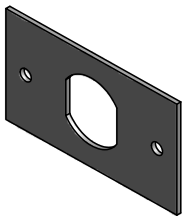
Spur Washer
PN: S2302B



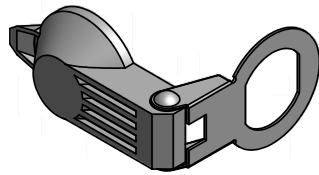
Anchor Washer
PN: S6951



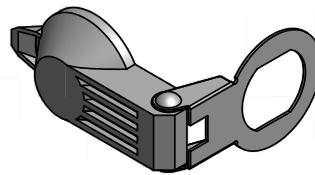
Flat Washer
PN: S2313



Anchor Plate
PN: S2315A



Dust Cover Vertical
PN: DC200A



Dust Cover Horizontal
PN: DC225A