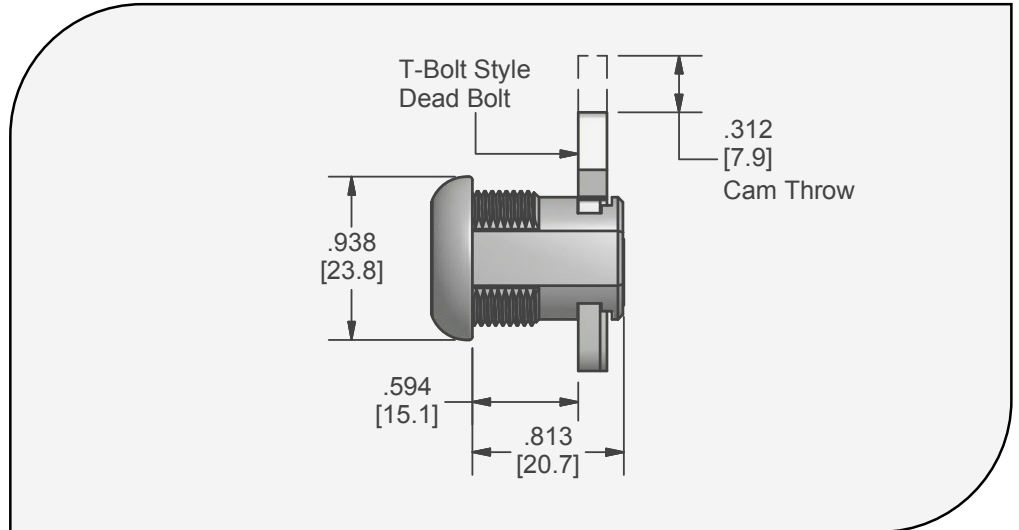




T-Bolt Style Dead Bolt Locks

DTB1974

- Deadbolt lock great for use when rotating cam lock is not an option
- T-Style cam or straight bolt available
- 5 Disc Tumbler - Single Bitted Mechanism. Master Keying available
- 200 Key Changes
- Available keyed-alike or keyed-different

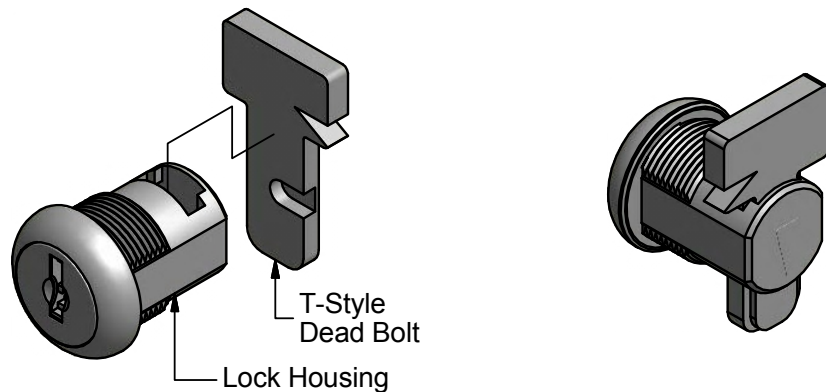


* length tolerance +/- .039" [1mm]

Material and Finish

- Housing: Zinc alloy
- Stainless steel scalp

Part Number	Housing Length [B-Dim]*	
	Inches	Millimeters
DTB1974	19/32	15.1



Illinois Lock Company
A division of the Eastern Company

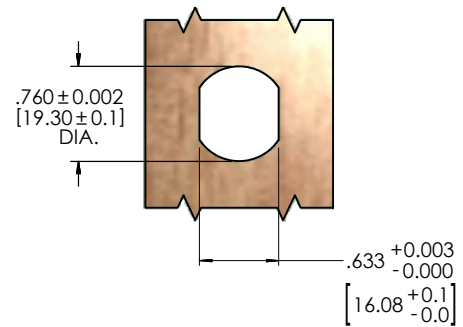
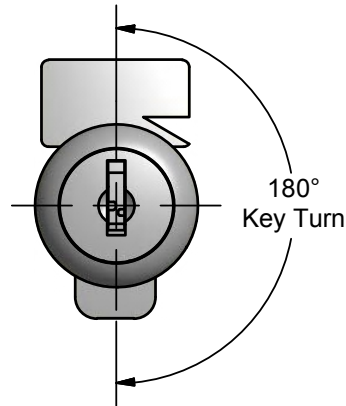
www.illinoislock.com • sales@illinoislock.com • 847-537-1800



T-Bolt Style Dead Bolt Locks

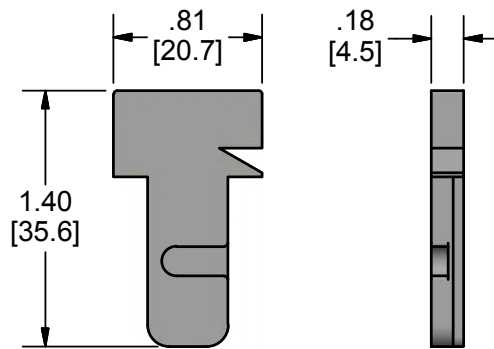
DTB1974

Key Rotation and Installation

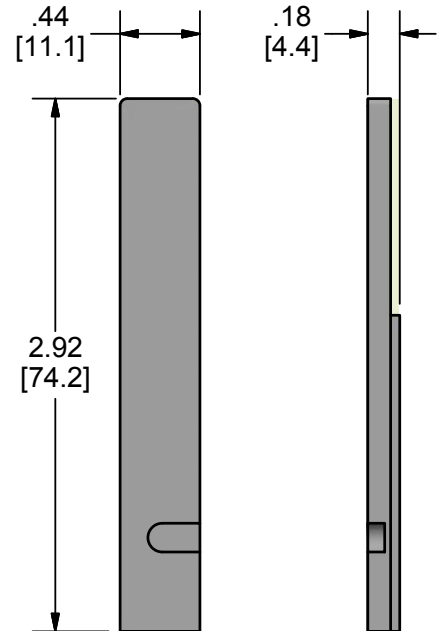


Bolt Styles

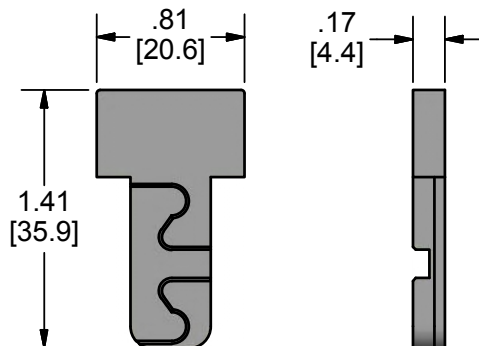
D7164



D7166



D7165



*Cam can be cut to size

Illinois Lock Company
A division of the Eastern Company

www.illinoislock.com • sales@illinoislock.com • 847-537-1800



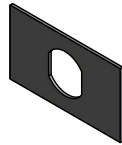
T-Bolt Style Dead Bolt Locks

DTB1974

Accessories/Replacement Parts



Flat Washer
PN: S2313



Anchor Plate
PN: S2315A



Nut Lock
PN: S9003A



Barrel Nut M19
PN: D9868



Spur Washer
PN: S2302A



Spur Washer
PN: S2302B



Anchor Washer
PN: S6951