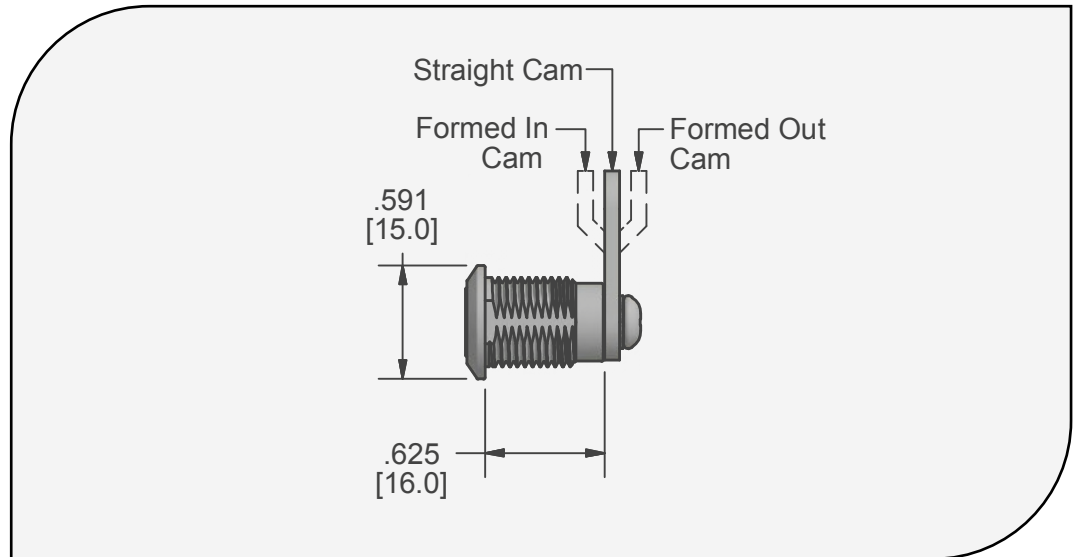




Miniature Slot Latch

DSL3092 Series

- Non-locking 1/4 turn solution
- Easy operation with a screw driver or coin
- Small size fits into tight spaces
- Internal O-ring
- Ball and spring detent
- Suitable for outdoor or indoor application



Material and Finish

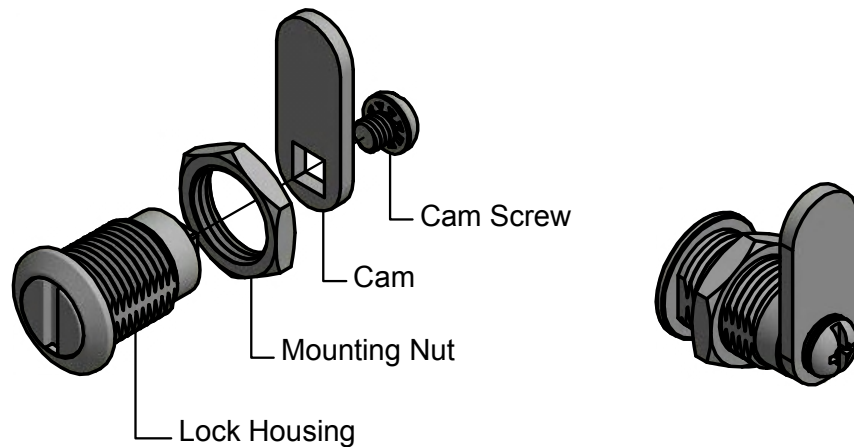
Construction: Zinc alloy

Finish: Bright Chrome US26 (Standard)

Satin Nickel US15,
Black E-Coat (Optional)

SEE STOCK OPTIONS

Part Number	Housing Length		Finish
	Inches	Millimeters	
DSL3092L-CHROME	5/8	16.0	CHROME
DSL3092L-NICKEL	5/8	16.0	NICKEL
DSL3092L-BLACK	5/8	16.0	BLACK E-COAT



Rev 1
11/21/2016

Illinois Lock Company
A division of the Eastern Company

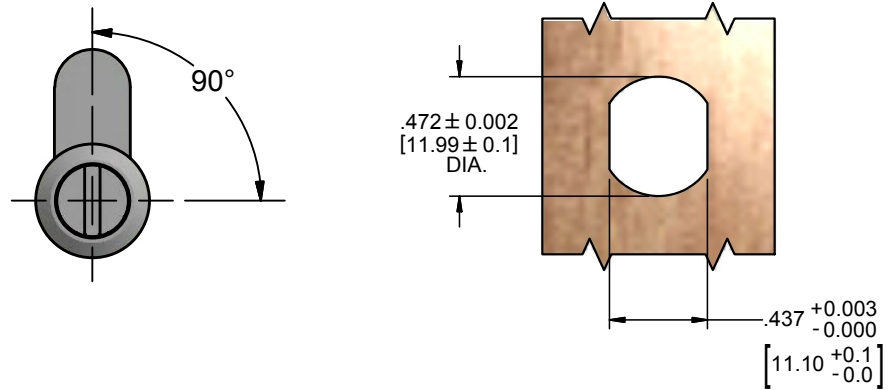
www.illinoislock.com • sales@illinoislock.com • 847-537-1800



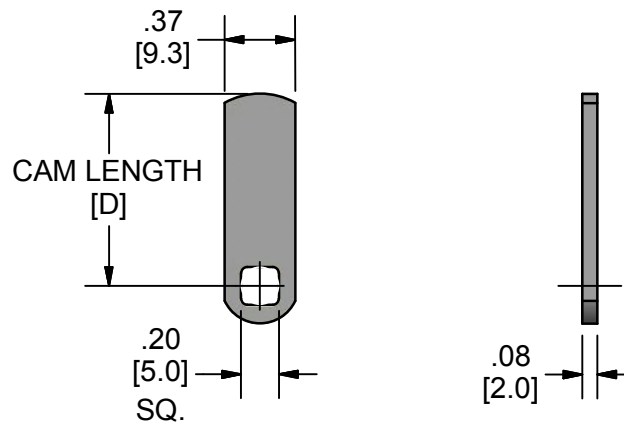
Miniature Slot Latch

DSL3092 Series

Cam Rotation and Installation



Cam Types



Straight Cams		
Part Number	Cam Length [D-Dim]*	
	Inches	Millimeters
TS9700-01	1/2	12.7
TS9700-05	5/8	15.9
TS9700-09	3/4	19.1
TS9700-13	7/8	22.2
TS9700-17	1	25.4
TS9700-21	1 1/8	28.6
TS9700-25	1 1/4	31.8

Illinois Lock Company
A division of the Eastern Company

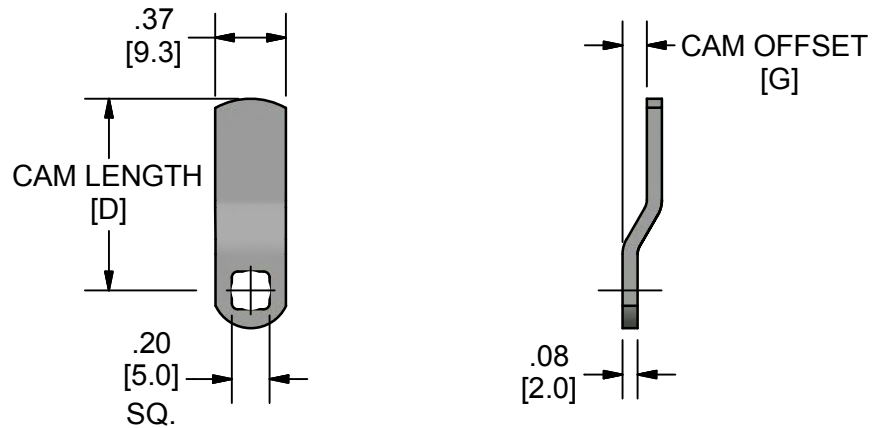
www.illinoislock.com • sales@illinoislock.com • 847-537-1800



Miniature Slot Latch

DSL3092 Series

Cam Types - Continued



Offset Cams				
Part Number	Cam Length [D-Dim]*		Offset Length [G-Dim]*	
	Inches	Millimeters	Inches	Millimeters
TF9953-13-01	7/8	22.2	1/32	0.8
TF9953-17-04	1	25.4	1/8	3.2
TF9953-17-08	1	25.4	1/4	6.4
TF9953-17-12	1	25.4	3/8	9.5
TF9953-17-16	1	25.4	1/2	12.7
TF9953-19-04	1 1/8	28.6	1/8	3.2
TF9953-19-08	1 1/8	28.6	1/4	6.4
TF9953-19-12	1 1/8	28.6	3/8	9.5
TF9953-19-16	1 1/8	28.6	1/2	12.7
TF9953-19-24	1 1/8	29.6	3/4	19.1
TF9953-21-04	1 1/4	31.8	1/8	3.2
TF9953-21-08	1 1/4	31.8	1/4	6.4
TF9953-21-12	1 1/4	31.8	3/8	9.5
TF9953-21-16	1 1/4	31.8	1/2	12.7
TF9953-21-24	1 1/4	32.8	3/4	19.1



Miniature Slot Latch

DSL3092 Series

Accessories/Replacement Parts



Barrel Mounting Nut
M12 X 1.00
PN: S9939



Cam Screw
M4 X 0.5
PN: S9193



**Internal Toothed
Barrel Nut Lockwasher**
PN: S9852



Rubber Gasket
PN: R7167



Miniature Slot Latch

DSL3092 Series

All In-Stock Cam Locks Supplied with following Hardware:

- Cam Screw
- Mounting Nut
- 1-1/8" x 11/32" Offset Cam
- 1-1/8" Straight Cam
- Key pulls at 12:00 and 3:00 positions
- 90 degree rotation

In-Stock Cam Locks

Part Number	Housing Length		Finish
	Inches	Millimeters	
DSL3092L-CHROME	5/8	16.0	CHROME
DSL3092L-NICKEL	5/8	16.0	NICKEL
DSL3092L-BLACK	5/8	16.0	BLACK E-COAT



Illinois Lock Company
A division of the Eastern Company

www.illinoislock.com • sales@illinoislock.com • 847-537-1800