



Tubular Switch Locks

DS202, DS207, DS208 Series

- Maintaining and momentary (spring return) functions
- Pole Position: Off-On
- Post, screw or spade terminals available
- Custom wire harnessing available
- Electrical rating: 5 amps 125 VAC; 2 amps 250 VAC
- 7 Pin tumbler mechanism utilizing a tubular key which offers over 750,000 combinations

Material and Finish

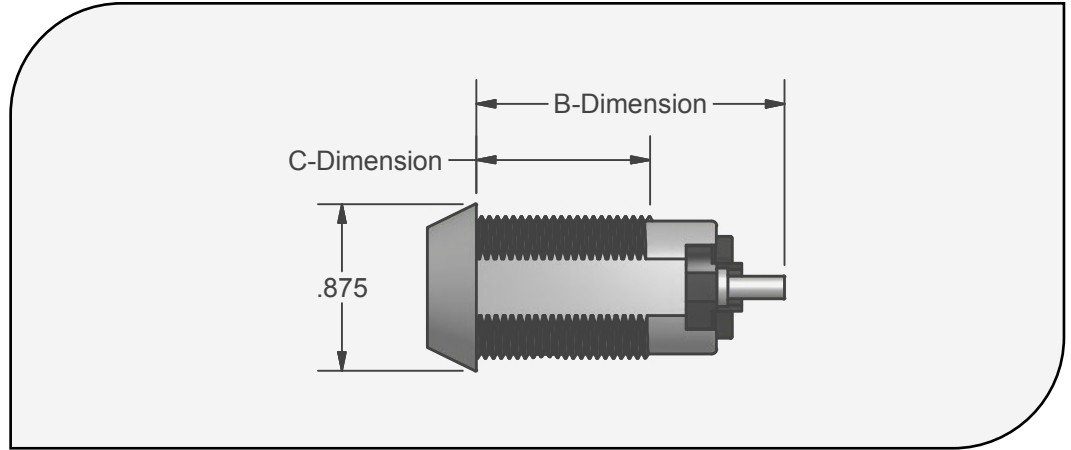
Housing: Zinc die cast cylinder with brass contacts

Finish: Bright Chrome US26 [standard]

Black E-coat optional

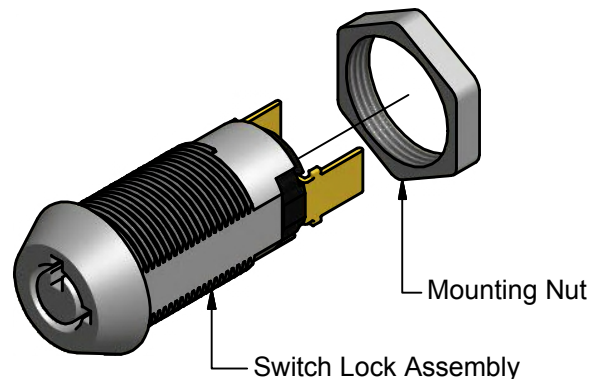


Rev 0
12/8/2015



* length tolerance +/- .039" [1mm]

Part Number	[B-Dimension]*		[C-Dimension]*		Spring Return	Connector Type	Position
	Inches	Millimeters	Inches	Millimeters			
S202	1-1/2	38.1	7/8	22.2	No	Solder Post	Off-On
S202A	1-1/2	38.1	7/8	22.2	Yes	Solder Post	Off-On
S207	1-23/32	43.7	7/8	22.2	No	Screw	Off-On
S207A	1-23/32	43.7	7/8	22.2	Yes	Screw	Off-On
S208	1-23/32	43.7	7/8	22.2	No	Spade	Off-On
S208A	1-23/32	43.7	7/8	22.2	Yes	Spade	Off-On



Illinois Lock Company
A division of the Eastern Company

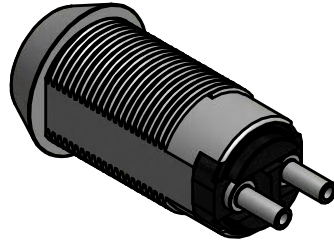
www.illinoislock.com • sales@illinoislock.com • 847-537-1800



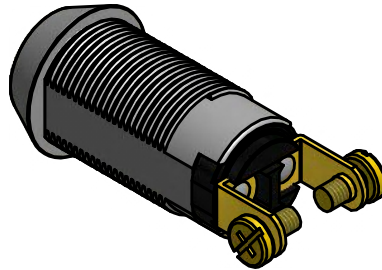
Tubular Switch Locks

DS202, DS207, DS208 Series

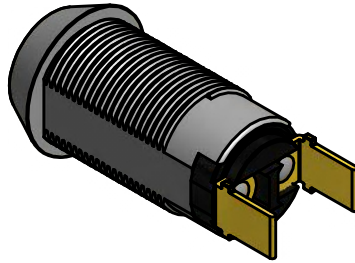
Connector Types



Solder Post Connectors

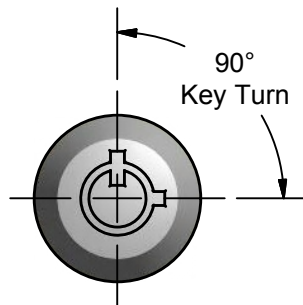


Screw Connectors

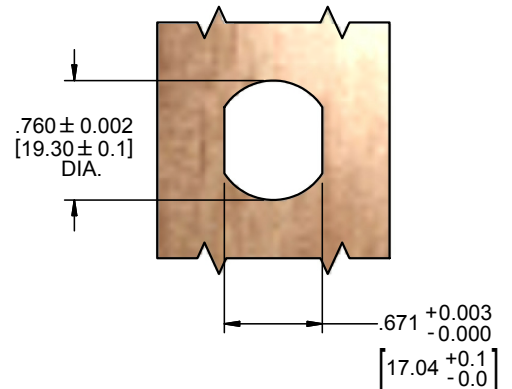


Spade Connectors

Installation & Rotation



Note: 90° Key Turn For
Momentary and Maintaining
Lock Function



Illinois Lock Company
A division of the Eastern Company

www.illinoislock.com • sales@illinoislock.com • 847-537-1800



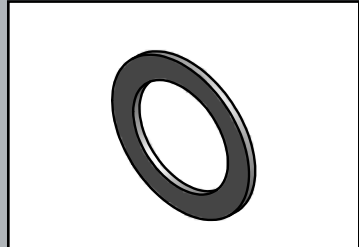
Tubular Switch Locks

DS202, DS207, DS208 Series

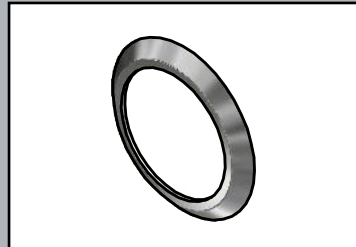
Accessories/Replacement Parts



Barrel Nut M19
PN: D9868



Flat Washer
PN: S2313



Chrome Escutcheon
PN: S2310A.ALT