



Economical Switch Locks

DS201, DS203, DS205 Series

- Maintaining and momentary (spring return) functions
- Pole Positions: Off-On and On-Off
- Post, screw or spade terminals available
- UL Recognized
- Custom wire harnessing available
- Electrical rating: 6 amps 120 VAC

Material and Finish

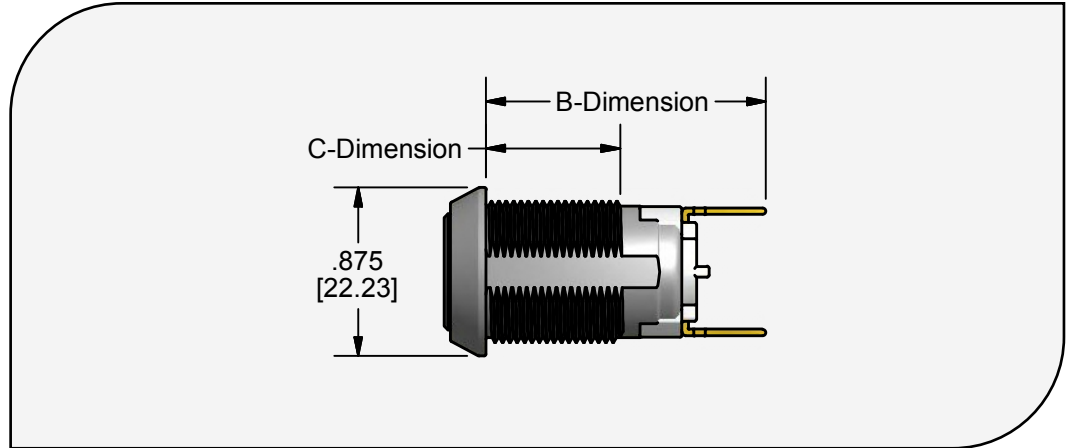
Housing: Zinc die cast cylinder with brass contacts

Finish: Bright Chrome
US26 [standard]

Black E-coat optional

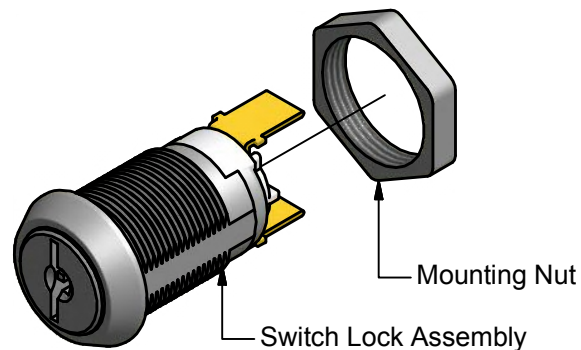


Rev 0
12/8/2015



* length tolerance +/- .039" [1mm]

Part Number	B-Dimension		C-Dimension		Spring Return	Connector Type	Position
	Inches	Millimeters	Inches	Millimeters			
S201	1-3/8	34.9	23/32	18.5	No	Solder Post	Off-On
S201A	1-11/16	42.9	1-1/32	26.2	Yes	Solder Post	Off-On
S203	1-15/32	37.3	23/32	18.5	No	Screw	Off-On
S203A	1-25/32	45.2	1-1/32	26.2	Yes	Screw	Off-On
S205	1-15/32	37.3	23/32	18.5	No	Spade	Off-On
S205A	1-25/32	45.2	1-1/32	26.2	Yes	Spade	Off-On
S301	1-3/8	34.9	23/32	18.5	No	Solder Post	On-Off
S301A	1-11/16	42.9	1-1/32	26.2	Yes	Solder Post	On-Off
S303	1-15/32	37.3	23/32	18.5	No	Screw	On-Off
S303A	1-25/32	45.2	1-1/32	26.2	Yes	Screw	On-Off
S305	1-15/32	37.3	23/32	18.5	No	Spade	On-Off
S305A	1-25/32	45.2	1-1/32	26.2	Yes	Spade	On-Off



Illinois Lock Company
A division of the Eastern Company

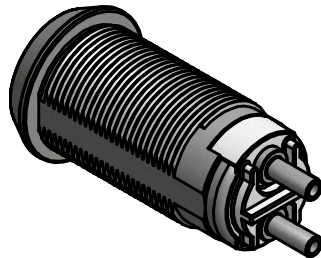
www.illinoislock.com • sales@illinoislock.com • 847-537-1800



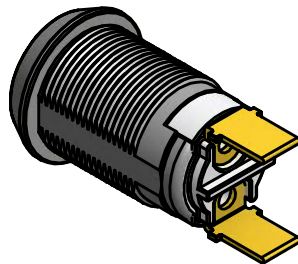
Economical Switch Locks

DS201, DS203, DS205 Series

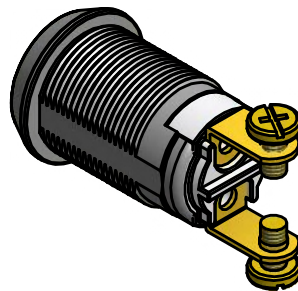
Connector Types



Solder Post Connectors

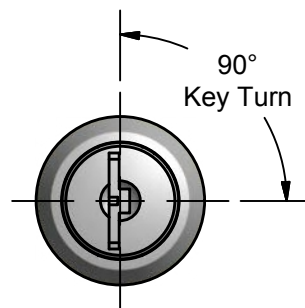


Spade Connectors

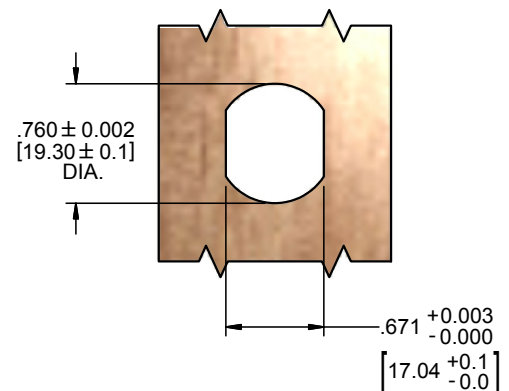


Screw Post Connectors

Installation & Rotation



Note: 90° Key Turn For
Momentary and Maintaining
Lock Function



Illinois Lock Company
A division of the Eastern Company

www.illinoislock.com • sales@illinoislock.com • 847-537-1800



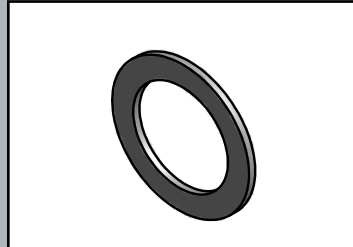
Economical Switch Locks

DS201, DS203, DS205 Series

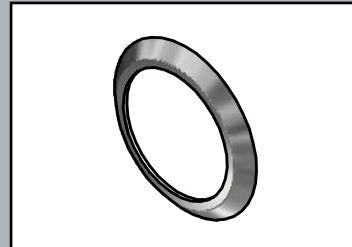
Accessories/Replacement Parts



Barrel Nut M19
PN: D9868



Flat Washer
PN: S2313



Chrome Escutcheon
PN: S2310A.ALT



Economical Switch Locks

DS201, DS203, DS205 Series

All In-Stock switch locks are supplied with the following hardware:

- 2 Keys
- Spade Terminals
- Escutcheon

In-Stock Switch Locks

In-Stock Locks					
Part Number	Housing Length *		Keying	Spring Return	Position
	Inches	Millimeters			
20510 (S205)	1 15/32	37.3	Keyed Alike (2007)	No	Off-On
20500 (S205A)	1 25/32	45.2	Keyed Alike (H2341S205A)	Yes	Off-On

* length tolerance +/- .039" [1mm]

Illinois Lock Company

A division of the Eastern Company

www.illinoislock.com • sales@illinoislock.com • 847-537-1800