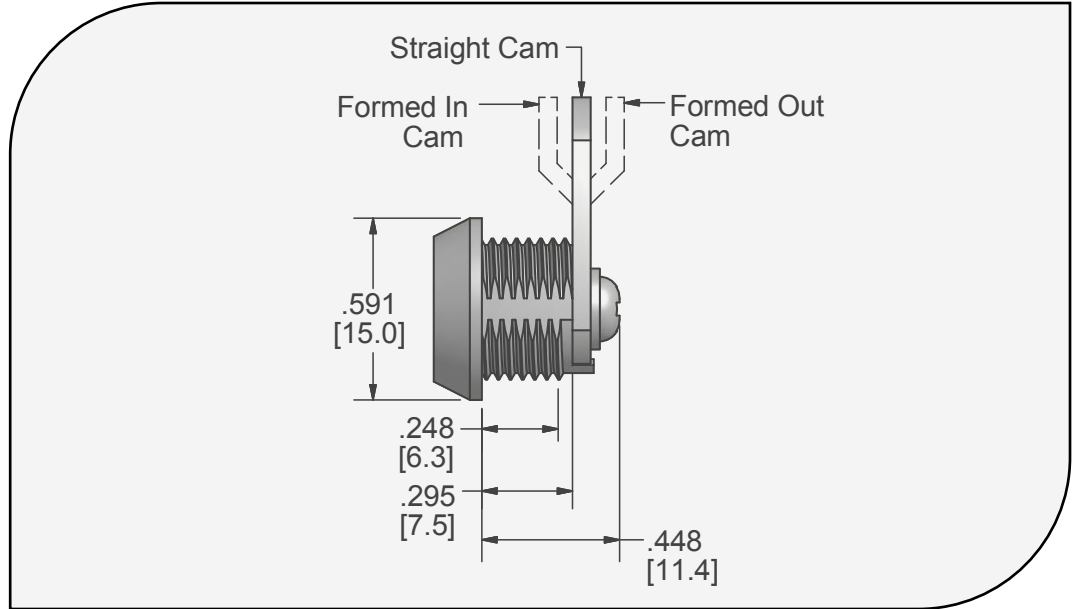




# Ultra Miniature Tubular Cam Lock

## BC520XS

- Extreme Short Length
- Ideal for Applications Where Space is Limited
- 150 Combinations Available



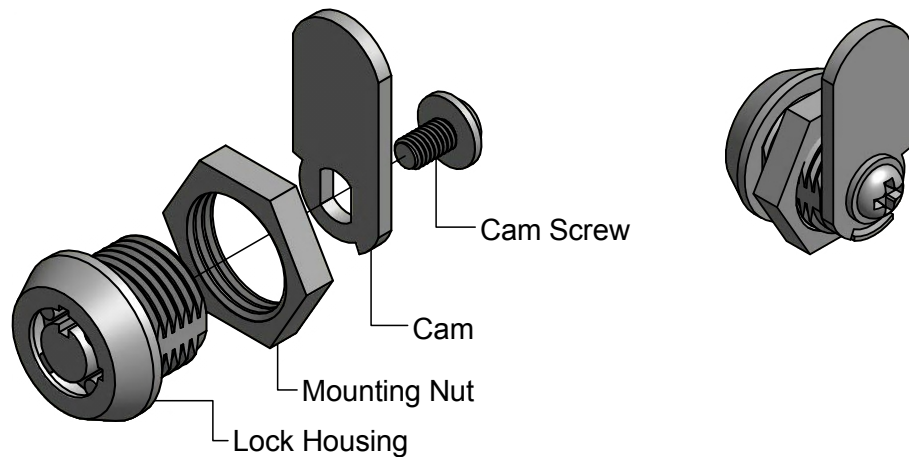
### Material and Finish

Housing: Brass

Finish: Bright Chrome US26 (Standard)

Satin Nickel US15,  
Black E-Coat  
(Optional)

Part No.	Housing Length		Thread Length		Overall Length	
	Inches	Millimeters	Inches	Millimeters	Inches	Millimeters
BC520XS	.295	7.5	.248	6.3	.448	11.4



Rev 1  
4/10/2016

**Illinois Lock Company**  
A division of the Eastern Company

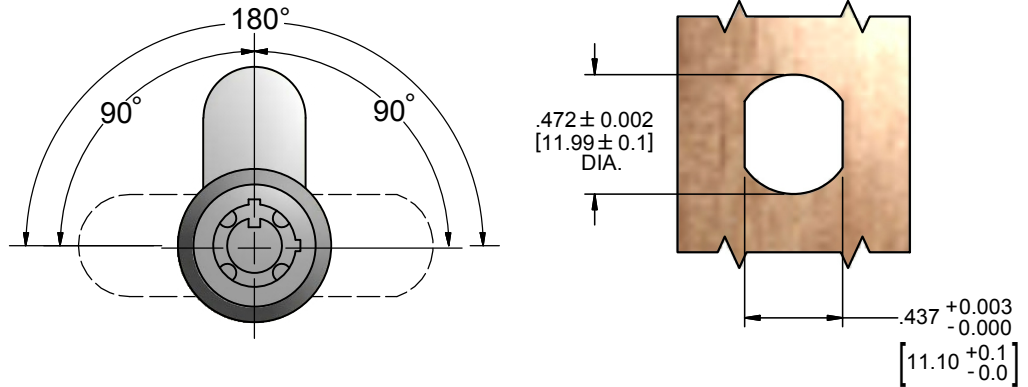
www.illinoislock.com • sales@illinoislock.com • 847-537-1800



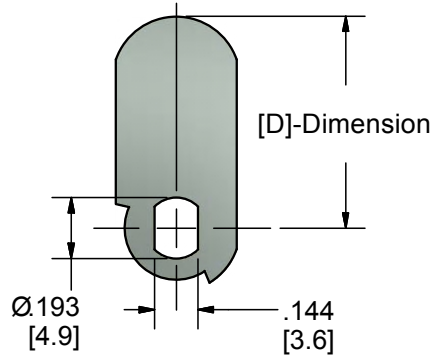
# Ultra Miniature Tubular Cam Lock

## BC520XS

### Cam Rotation and Installation



### Cam Types



Straight Cams		
Part Number	Cam Length [D-Dim]*	
	Inches	Millimeters
TS9710-00	13/32	10.0
TS9710-01	1/2	12.7
TS9710-03	9/16	14.0
TS9710-04	19/32	15.5
TS9710-07	11/16	16.5
TS9710-09	3/4	19.0
TS9710-17	1	25.4



# Ultra Miniature Tubular Cam Lock

BC520XS

## Accessories/Replacement Parts



**Barrel Mounting Nut**  
M12 X 1.00  
PN: S9939



**Cam Screw**  
M3 X 0.5



**Internal Toothed  
Barrel Nut Lockwasher**  
PN: S9852



**Rubber Gasket**  
PN: R7167