



Heavy Duty Drawer Slides

Bayonet Mounted

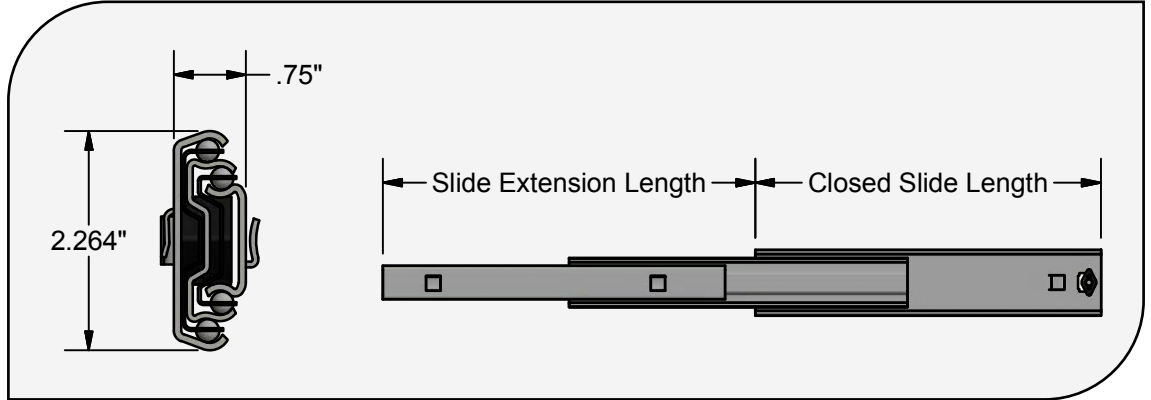
SM180-5895 Series

- Dynamic load rating for 18" slide – 255 lbs
- Bayonet mounting pattern for quick installation
- Hi-Lo temperature grease lubricant
- Operation temperature range between -40°F (-4°C) to 130°F (55°C)
- Excellent quality with competitive pricing.
- Locking tabs and bumpers are standard

Material: Cold Rolled Steel

Finish: Electro-zinc plating (Standard)

Black electro-zinc plating and black electro-dip (Optional)

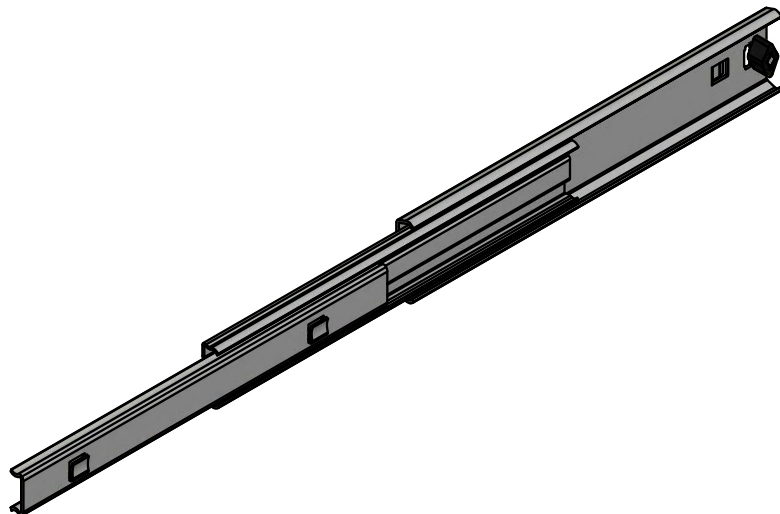


*length tolerance +/- .020" [.5mm]

Part Number	Closed Slide Length*		Slide Extension Length*	
	Inches	Millimeters	Inches	Millimeters
SM180-5895-12	12	304.8	12.9	328.0
SM180-5895-14	14	355.6	14.9	377.0
SM180-5895-16	16	406.4	16.8	426.0
SM180-5895-18	18	457.2	18.7	475.0
SM180-5895-20	20	508.0	20.7	525.0
SM180-5895-22	22	558.8	22.6	574.0
SM180-5895-24	24	609.6	24.5	623.0
SM180-5895-26	26	660.4	26.5	672.0
SM180-5895-28	28	711.2	28.4	721.0
SM180-5895-30	30	762.0	30.4	771.0
SM180-5895-32	32	812.8	32.3	820.0



Rev 0
12/8/2015



Illinois Lock Company
A division of the Eastern Company

www.illinoislock.com • sales@illinoislock.com • 847-537-1800

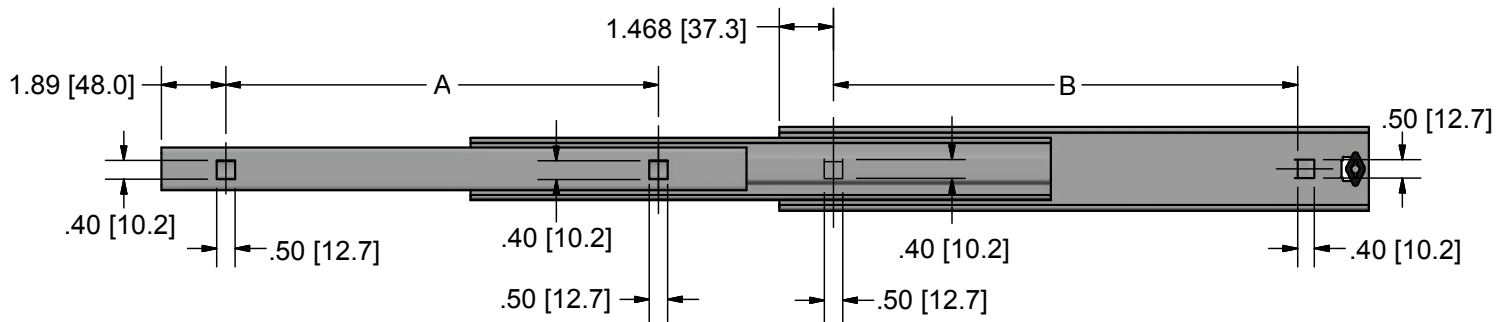


Heavy Duty Drawer Slides

Bayonet Mounted

SM180-5895 Series

Installation Dimensions



Part Number	A		B	
	Inches	Millimeters	Inches	Millimeters
SM180-5895-12	7.80	198.0	8.82	224.0
SM180-5895-14	9.77	248.0	10.08	256.0
SM180-5895-16	11.74	298.0	12.60	320.0
SM180-5895-18	13.71	348.0	13.08	332.0
SM180-5895-20	15.67	398.0	16.38	416.0
SM180-5895-22	17.64	448.0	17.52	445.0
SM180-5895-24	19.61	498.0	20.16	512.0
SM180-5895-26	21.58	548.0	21.42	544.0
SM180-5895-28	23.55	598.0	23.86	606.0
SM180-5895-30	25.52	648.0	25.83	656.0
SM180-5895-32	27.49	698.0	27.80	706.0