

Illinois Lock Company
301 W. Hintz Road
Wheeling, IL 60090-5754 USA

Phone: 800-733-3907, 847-537-1800

Fax: 847-537-1881



 [Download PDF](#)

 [Print this page](#)

Specifications:

2-position switch lock available in maintaining or momentary style with dust shutter and utilizing solder-type terminals.

Material:Zinc die cast cylinder with silver-plated contacts and terminals. Stainless steel dust shutter and scalp.

Mechanism:5 disc tumbler single bitted mechanism which offers 200 combinations and master keying.

Finishes:

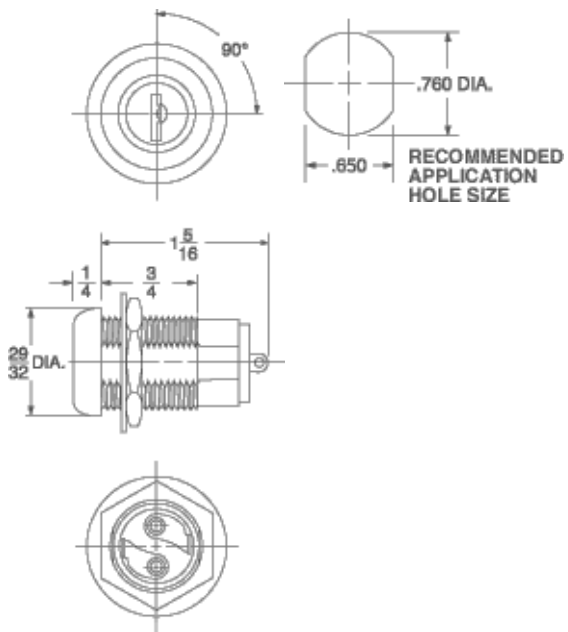
Stainless steel face; die cast cylinder plated with yellow dichromate ? other finishes are available upon request.

Electrical Ratings:5 amps 125 VAC.

Options:

Gold contacts and terminals are available, however, a minimum quantity may apply; add letter "G" after lock number.

Custom wire harnessing is also available.



Lock No.	Poles	Circuit Function
S296	Maintaining	Off-On
S296A	Momentary	Off-On