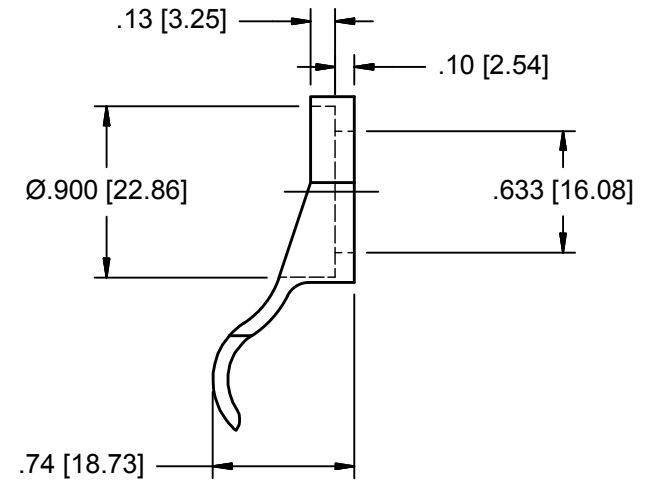
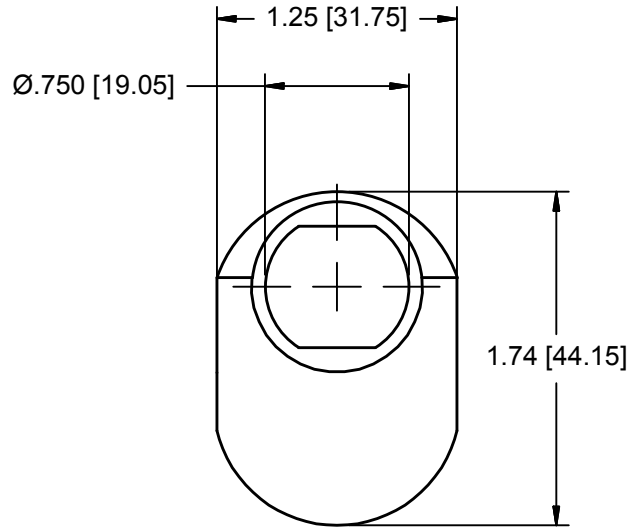


PROJ. NO:

DESTROY ALL PRINTS PREVIOUS TO

PART NO:
P9446B

REV.
NO.



THIS DRAWING IS THE EXCLUSIVE PROPERTY OF THE ILLINOIS LOCK COMPANY / CCL SECURITY PRODUCTS, AND IS SUBMITTED ONLY ON A CONFIDENTIAL BASIS. UNAUTHORIZED USE OR DISCLOSURE OF ITS CONTENTS AND REPRODUCTION IS PROHIBITED. THIS DRAWING, UNLESS OTHERWISE DIRECTED IS TO BE RETURNED TO THE ILLINOIS LOCK COMPANY / CCL SECURITY PRODUCTS.

Illinois Lock Company

CCL SECURITY PRODUCTS

WHEELING, IL.

MATERIAL: RUBBER; BLACK

TOLERANCES, UNLESS OTHERWISE SPECIFIED

FINISH SPECS: -

ENG: Tom

SCALE: 1 : 1

CHECKED BY:

DATE: 4/20/2005

VALUE	INCHES [mm]
X	-
X.X	± .015 [.381]
X.XX	± .008 [.203]
X.XXX	± .004 [.102]
FRACTIONS: ± 1/32	ANGLES: ± 2°

CUST. NAME:

CUST. PART NO:

SHEET: 1 OF 1