

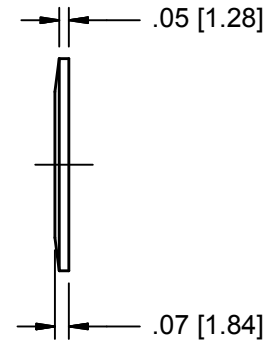
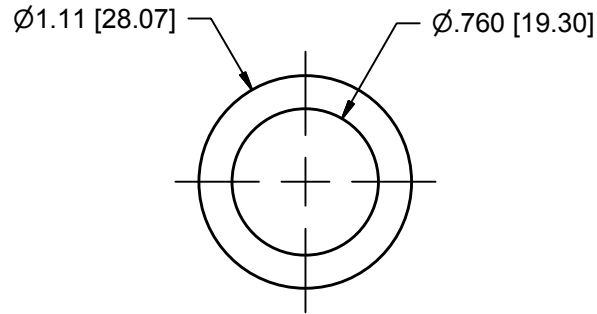
PROJ. NO:

DESTROY ALL PRINTS PREVIOUS TO

PART NO:

S23132G

REV.  
NO.



THIS DRAWING IS THE EXCLUSIVE PROPERTY OF THE ILLINOIS LOCK COMPANY / CCL SECURITY PRODUCTS, AND IS SUBMITTED ONLY ON A CONFIDENTIAL BASIS. UNAUTHORIZED USE OR DISCLOSURE OF ITS CONTENTS AND REPRODUCTION IS PROHIBITED. THIS DRAWING, UNLESS OTHERWISE DIRECTED IS TO BE RETURNED TO THE ILLINOIS LOCK COMPANY / CCL SECURITY PRODUCTS.

**Illinois Lock Company**

**CCL SECURITY PRODUCTS**

WHEELING, IL.

MATERIAL: HARDENED STEEL

TOLERANCES, UNLESS OTHERWISE SPECIFIED

FINISH SPECS: ZINC

VALUE	INCHES [ mm ]
X.	-
X.X	± .015 [ .381 ]
X.XX	± .008 [ .203 ]
X.XXX	± .004 [ .102 ]
FRACTIONS: ± 1/32	ANGLES: ± 2°

ENG: S.Moore

SCALE: 1 : 1

CHECKED BY:

DATE: 10/10/2013

CUST. NAME:

CUST. PART NO:

SHEET: 1 OF 1