

PROJ. NO:

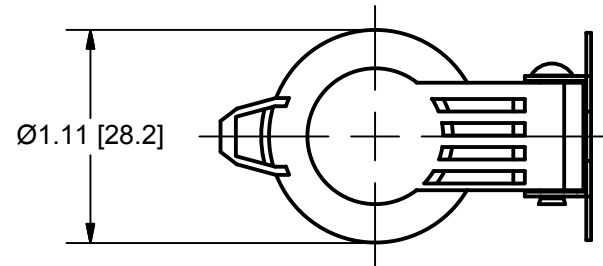
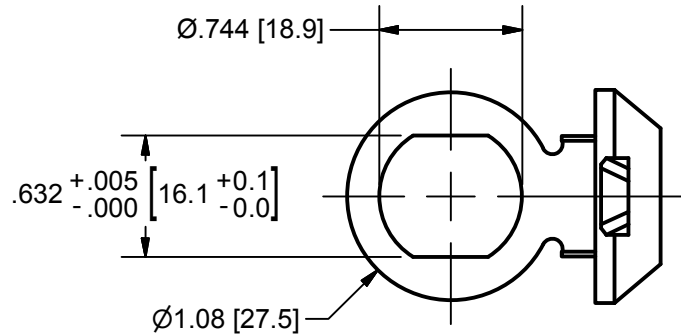
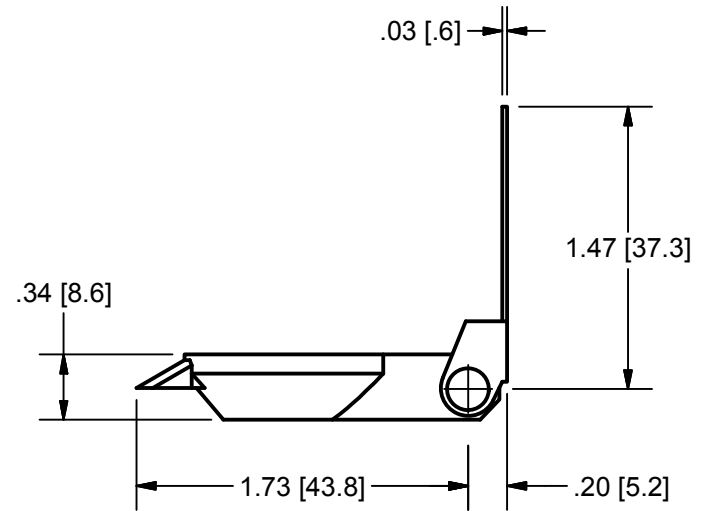
DESTROY ALL PRINTS PREVIOUS TO

PART NO:

DC225A

REV.
NO.

3/16/2015



THIS DRAWING IS THE EXCLUSIVE PROPERTY OF THE ILLINOIS LOCK COMPANY / CCL SECURITY PRODUCTS, AND IS SUBMITTED ONLY ON A CONFIDENTIAL BASIS. UNAUTHORIZED USE OR DISCLOSURE OF ITS CONTENTS AND REPRODUCTION IS PROHIBITED. THIS DRAWING, UNLESS OTHERWISE DIRECTED IS TO BE RETURNED TO THE ILLINOIS LOCK COMPANY / CCL SECURITY PRODUCTS.

Illinois Lock Company

CCL SECURITY PRODUCTS

WHEELING, IL.

MATERIAL: ZINC

TOLERANCES, UNLESS OTHERWISE SPECIFIED

FINISH SPECS: US26: BRIGHT CHROME

VALUE INCHES [mm]

ENG: JAI

SCALE: 1 : 1

X. ± .030 [.762]

CHECKED BY:

DATE: 10/17/2013

X.X ± .015 [.381]

X.XX ± .010 [.254]

X.XXX ± .005 [.127]

FRACTIONS: ± 1/32 ANGLES: ± 2°

CUST. NAME:

CUST. PART NO:

DC225A

SHEET: 1 OF 1