

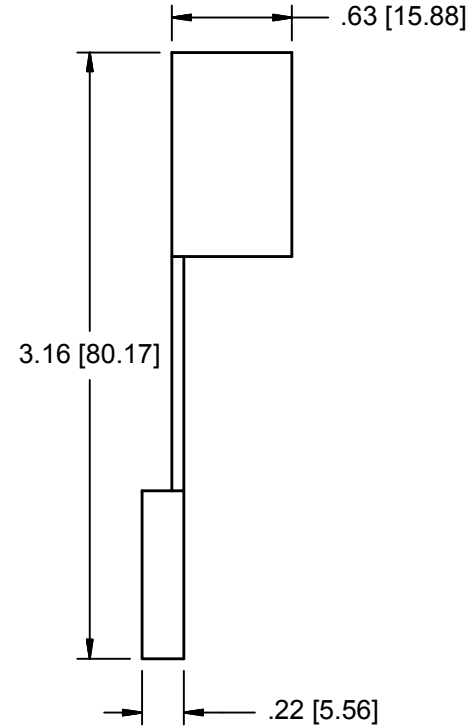
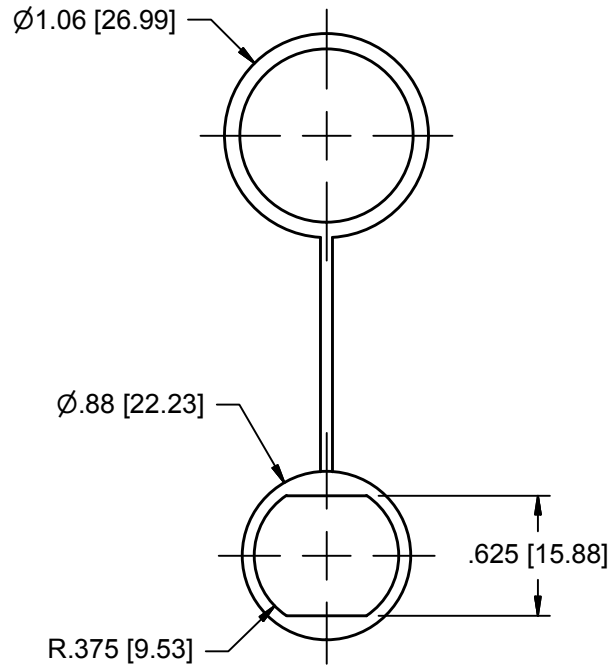
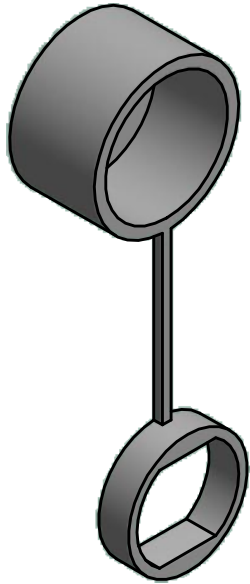
PROJ. NO:

DESTROY ALL PRINTS PREVIOUS TO

PART NO:

P9748

REV.
NO.



THIS DRAWING IS THE EXCLUSIVE PROPERTY OF THE ILLINOIS LOCK COMPANY / CCL SECURITY PRODUCTS, AND IS SUBMITTED ONLY ON A CONFIDENTIAL BASIS. UNAUTHORIZED USE OR DISCLOSURE OF ITS CONTENTS AND REPRODUCTION IS PROHIBITED. THIS DRAWING, UNLESS OTHERWISE DIRECTED IS TO BE RETURNED TO THE ILLINOIS LOCK COMPANY / CCL SECURITY PRODUCTS.

Illinois Lock Company

CCL SECURITY PRODUCTS

WHEELING, IL.

MATERIAL: RUBBER

TOLERANCES, UNLESS OTHERWISE SPECIFIED

FINISH SPECS: -

VALUE	INCHES [mm]
X	-
X.X	$\pm .015 [.381]$
X.XX	$\pm .008 [.203]$
X.XXX	$\pm .004 [.102]$
FRACTIONS: $\pm 1/32$	ANGLES: $\pm 2^\circ$

ENG: S.Moore

SCALE: 1 : 1

CHECKED BY:

DATE: 10/15/2013

CUST. NAME:

CUST. PART NO:

SHEET: 1 OF 1