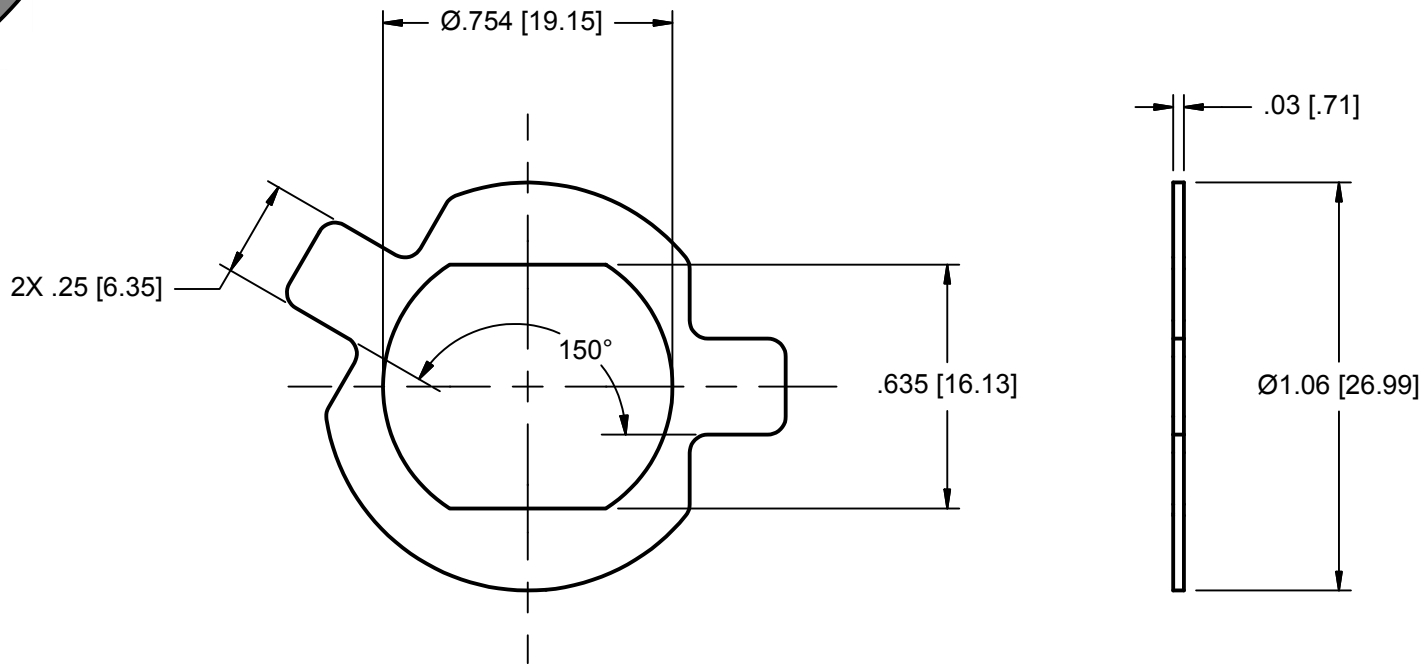
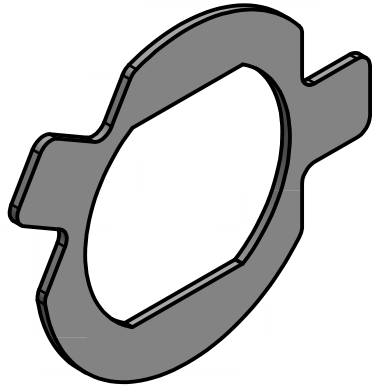


PROJ. NO:

DESTROY ALL PRINTS PREVIOUS TO

PART NO:  
**S9003A**

REV.  
NO.



THIS DRAWING IS THE EXCLUSIVE PROPERTY OF THE ILLINOIS LOCK COMPANY / CCL SECURITY PRODUCTS, AND IS SUBMITTED ONLY ON A CONFIDENTIAL BASIS. UNAUTHORIZED USE OR DISCLOSURE OF ITS CONTENTS AND REPRODUCTION IS PROHIBITED. THIS DRAWING, UNLESS OTHERWISE DIRECTED IS TO BE RETURNED TO THE ILLINOIS LOCK COMPANY / CCL SECURITY PRODUCTS.

**Illinois Lock Company**

**CCL SECURITY PRODUCTS**

WHEELING, IL.

MATERIAL: STEEL, COLD-ROLLED

TOLERANCES, UNLESS OTHERWISE SPECIFIED

FINISH SPECS: TRIVALENT YELLOW

ENG: S.Moore

SCALE: 2 : 1

CHECKED BY:

DATE: 10/10/2013

Issue #2 March 10, 2015

PRINTED COPIES ARE UNCONTROLLED

VALUE	INCHES [ mm ]
X.	-
X.X	$\pm .015$ [.381]
X.XX	$\pm .008$ [.203]
X.XXX	$\pm .004$ [.102]
FRACTIONS: $\pm 1/32$	ANGLES: $\pm 2^\circ$

NUT LOCK

CUST. NAME:

CUST. PART NO:

SHEET: 1 OF 1

QF05-02